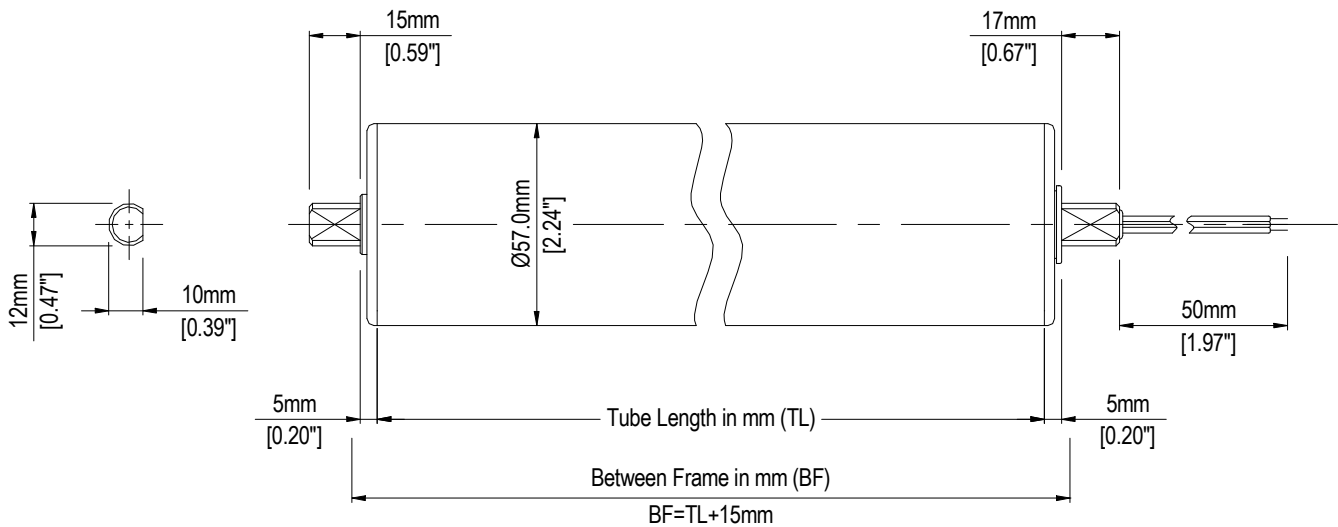
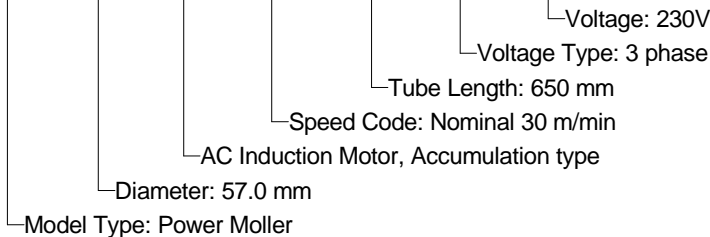


PM570AU AC Motorized Roller 57.0 mm (2.24") Diameter



Standard model designation (example)

PM570AU-30-650-3-230



Standard Features

- Special high impedance motor allows loads to be accumulated limitlessly without overheating
- 12 mm (0.47") dia. D-shafts
- Spring-loaded shaft (non-cable side)
- 50 mm (1.96") motor leads
- Dustproof design (IP54)
- Straight, seamless tube
- Zinc plated, carbon steel tube
- Class E insulation

Environment

- Ambient Temperature 0~40°C (32~104°F)
- <90% Relative Humidity (No condensation)
- No corrosive gases
- Vibration <0.5G

Operation

- Limitless
- Continuous or intermittent duty
- Do not exceed 150% of no-load speed

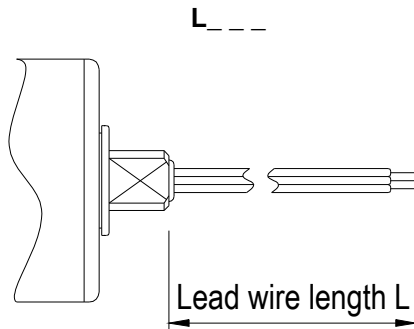
ITOHDENKI USA, INC.

135 Stewart Road Hanover Industrial Estates
Hanover Township, PA 18706
P: 570-820-8811 F: 570-820-8838
E: info@itohdenki.com www.itohdenki.com
Specifications subject to change without notice.

PM570AU AC Motorized Roller 57.0 mm (2.24") Diameter



Popular Options*



KF option

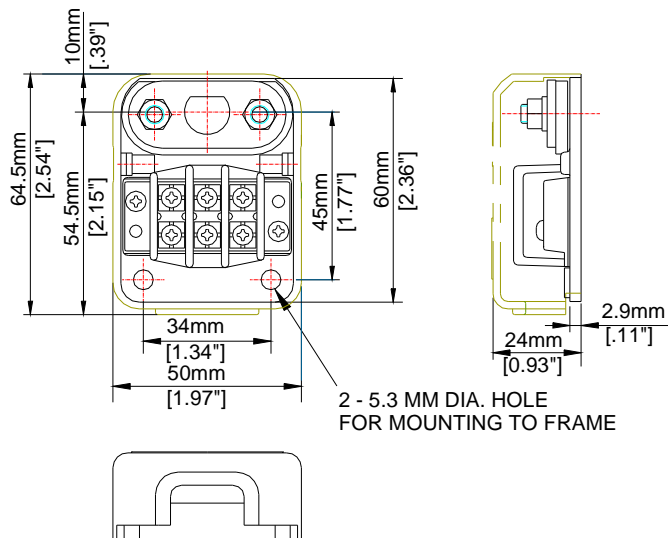
- Mounting hardware not included
(ordering purposes only)

L050 - 500mm lead wire
[In increments of 500mm]

*Ask an Itoh Denki representative for other available options

Mounting Hardware

A-200



Standard

- Supplied with A-200 to secure
shaft on cable side

ITOHDENKI USA, INC.

135 Stewart Road Hanover Industrial Estates
Hanover Township, PA 18706
P: 570-820-8811 F: 570-820-8838
E: info@itohdenki.com www.itohdenki.com
Specifications subject to change without notice.

PM570AU AC Motorized Roller 57.0 mm (2.24") Diameter



PM570AU Performance Specifications

3Φ 230V 60Hz						
Speed Code	Speed No-Load (ft/min)	Tangential Force Starting (lb)	Torque Starting (in-lb)	Current		
				No-Load (A)	Rated (A)	Starting (A)
4	13.4	9.9	11.2	0.04	0.04	0.05
5	18.3	7.3	8.1	0.04	0.04	0.05
8	26.9	5.0	5.6	0.04	0.04	0.05
9	33.8	3.9	4.4	0.04	0.04	0.05
10	36.7	3.6	4.1	0.04	0.04	0.05
13	46.6	3.3	3.7	0.04	0.04	0.05
15	56.4	2.9	3.3	0.04	0.04	0.05
20	80.7	2.0	2.3	0.04	0.04	0.05
30	117.4	1.4	1.6	0.04	0.04	0.05
45	153.8	1.1	1.2	0.04	0.04	0.05

▪ **Available Options:**

- Brake
- Dripproof IP-55
- Waterproof IP-65
- Wide Range of rubber laggings
- Idler rollers

Minimum Tube Length

Option	Without Spring Loaded Shaft	With Spring Loaded Shaft
None	200 mm (7.87")	250 mm (9.84")
Brake	250 mm (9.84")	300 mm (11.81")
Dripproof	200 mm (7.87")	260 mm (10.24")
Waterproof	260 mm (10.24")	290 mm (11.42")