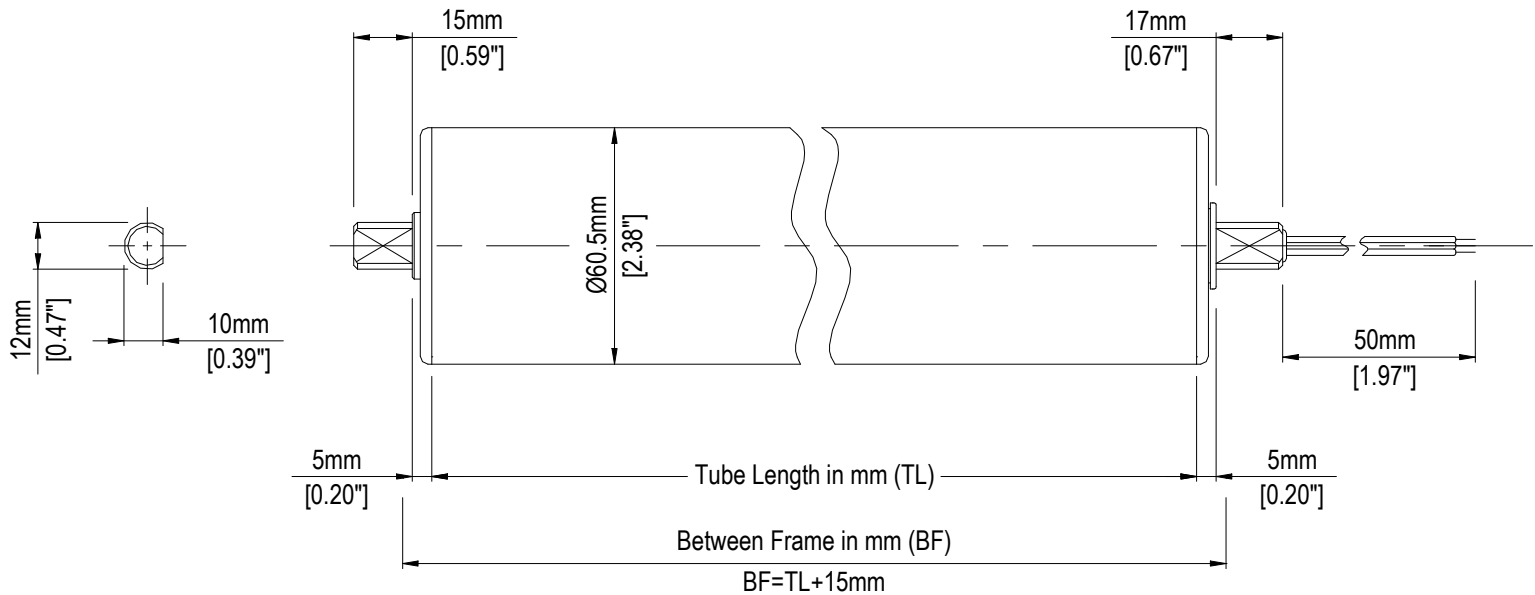
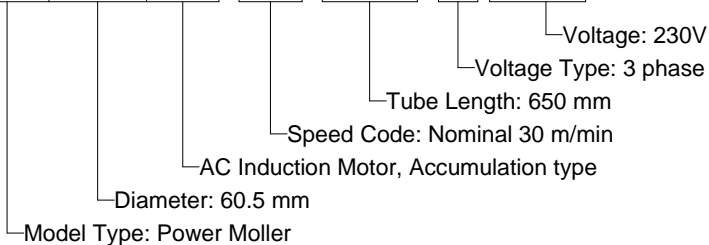


# PM605AU AC Motorized Roller 60.5 mm (2.38") Diameter



## Standard model designation (example)

**PM605AU-30-650-3-230**



## Standard Features

- Special high impedance motor allows loads to be accumulated limitlessly without overheating
- 12 mm (0.47") dia. D-shafts
- Spring-loaded shaft (non-cable side)
- 50 mm (1.96") motor leads
- Dustproof design (IP54)
- Straight, seamless tube
- Zinc plated, carbon steel tube
- Class E insulation

## Environment

- Ambient Temperature 0~40°C (32~104°F)
- <90% Relative Humidity (No condensation)
- No corrosive gases
- Vibration <0.5G

## Operation

- Limitless
- Continuous or intermittent duty
- Do not exceed 150% of no-load speed

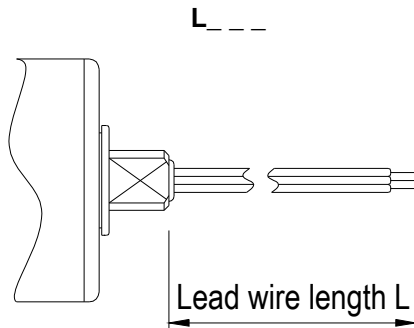
## **ITOH DENKI USA, INC.**

135 Stewart Road Hanover Industrial Estates  
Hanover Township, PA 18706  
P: 570-820-8811 F: 570-820-8838  
E: info@itohdenki.com [www.itohdenki.com](http://www.itohdenki.com)  
Specifications subject to change without notice.

# PM605AU AC Motorized Roller 60.5 mm (2.38") Diameter



## Popular Options\*



### **KF option**

- Mounting hardware not included  
(ordering purposes only)

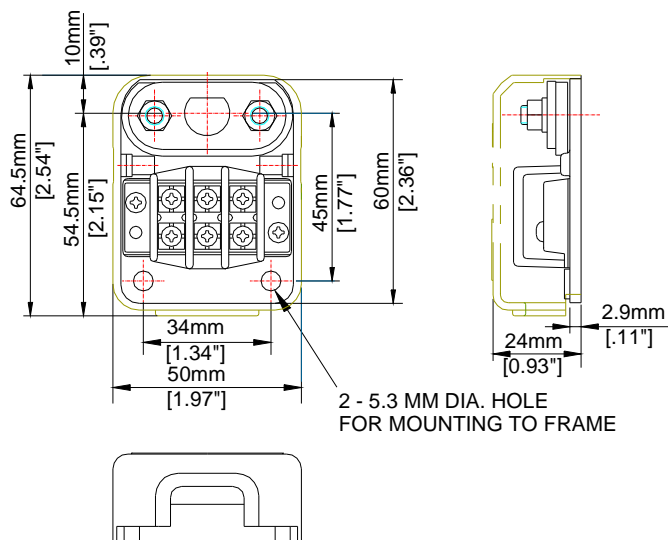
[In increments of 500mm]

Example: L050 = 500mm lead wire

\*Ask an Itoh Denki representative for other available options

## Mounting Hardware

### **A-200**



### **Standard**

- Supplied with A-200 to secure shaft on cable side

### **ITOHDENKI USA, INC.**

135 Stewart Road Hanover Industrial Estates  
Hanover Township, PA 18706

P: 570-820-8811 F: 570-820-8838

E: [info@itohdenki.com](mailto:info@itohdenki.com) [www.itohdenki.com](http://www.itohdenki.com)

Specifications subject to change without notice.

RevA 052808

Page 2 of 3

# PM605AU AC Motorized Roller 60.5 mm (2.38") Diameter



## PM605AU Performance Specifications

3Φ 230V 60Hz						
Speed Code	Speed No-Load (ft/min)	Tangential Force Starting (lb)	Torque Starting (in-lb)	Current		
				No-Load (A)	Rated (A)	Starting (A)
4	14.1	9.4	11.2	0.04	0.04	0.05
5	19.4	6.8	8.1	0.04	0.04	0.05
8	28.5	4.7	5.6	0.04	0.04	0.05
9	35.8	3.7	4.4	0.04	0.04	0.05
10	39.0	3.4	4.1	0.04	0.04	0.05
13	49.2	3.1	3.7	0.04	0.04	0.05
15	59.7	2.7	3.3	0.04	0.04	0.05
20	85.6	1.9	2.3	0.04	0.04	0.05
30	124.6	1.4	1.6	0.04	0.04	0.05
45	163.3	1.0	1.2	0.04	0.04	0.05

▪ **Available Options:**

- Brake
- Dripproof IP-55
- Waterproof IP-65
- Wide Range of rubber laggings
- Idler rollers

### **Minimum Tube Length**

Option	Without Spring Loaded Shaft	With Spring Loaded Shaft
None	200 mm (7.87")	250 mm (9.84")
Brake	250 mm (9.84")	300 mm (11.81")
Dripproof	200 mm (7.87")	260 mm (10.24")
Waterproof	260 mm (10.24")	290 mm (11.42")

**ITOHDENKI USA, INC.**

135 Stewart Road Hanover Industrial Estates  
Hanover Township, PA 18706  
P: 570-820-8811 F: 570-820-8838  
E: info@itohdenki.com [www.itohdenki.com](http://www.itohdenki.com)  
Specifications subject to change without notice.